
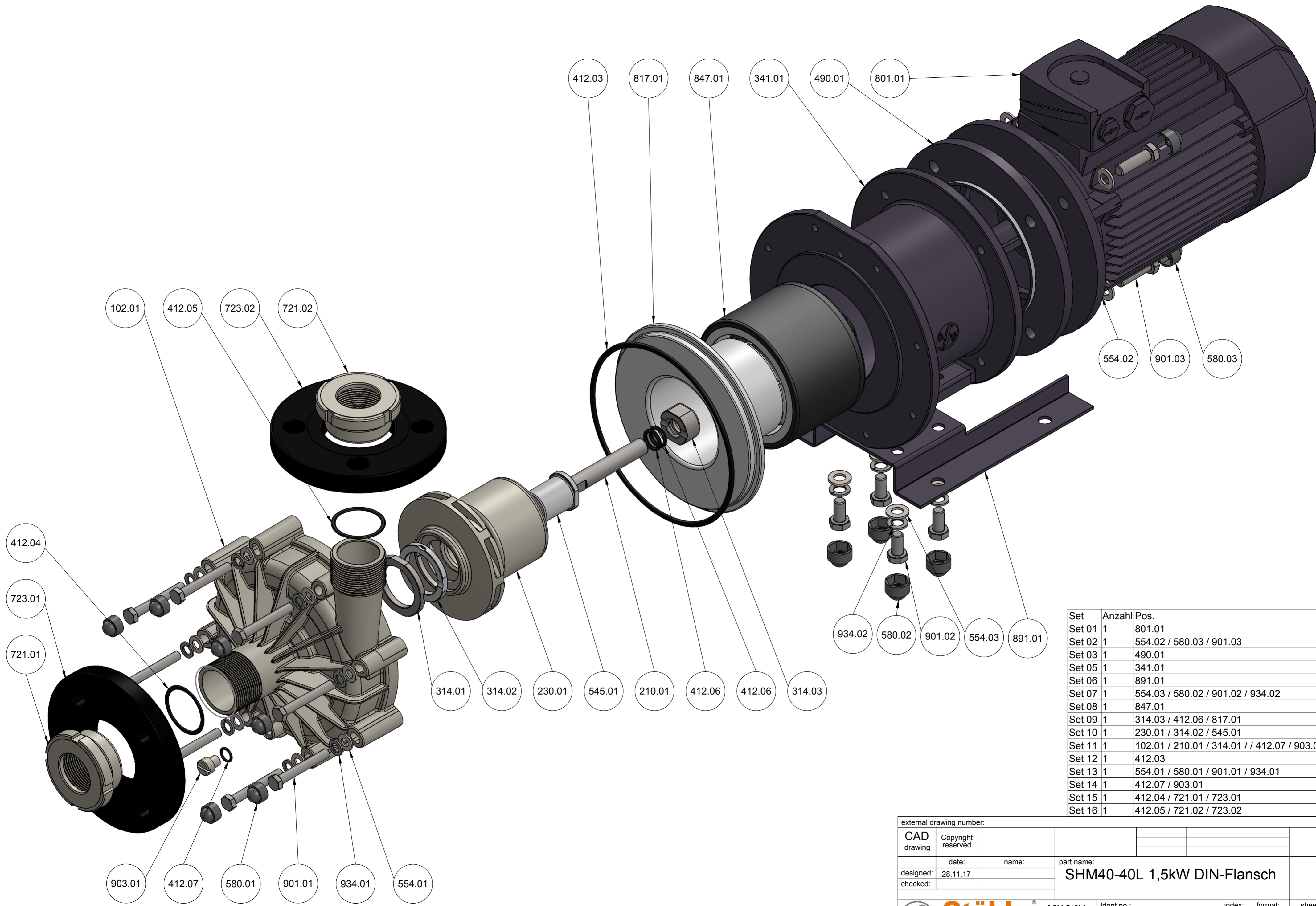


external drawing number:			
CAD drawing	Copyright reserved	date:	part name:
designed: 28.11.17	checked:	SHM40-40L 1,5kW DIN-Flansch	
 <b>Stübbe</b> Partner for Solutions		ASV Stübbe GmbH & Co.KG Postfach 1765 D-32291 Vlotho	ident no.: <b>180718</b>
deduced from:		index: -	format: A1
This is a drawing derivation of a 3D model. Changes must be carried out in the 3D model.		filename: 180718_SHM40-40L 1,5kW DIN-Flansch	sheet: <b>1</b> 2 sheets

Respect protective note according to DIN ISO 15016

Respect protective note according to DIN ISO 16016



Set	Anzahl	Pos.
Set 01	1	801.01
Set 02	1	554.02 / 580.03 / 901.03
Set 03	1	490.01
Set 04	1	341.01
Set 05	1	891.01
Set 06	1	554.03 / 580.02 / 901.02 / 934.02
Set 07	1	847.01
Set 08	1	314.03 / 412.06 / 817.01
Set 09	1	230.01 / 314.02 / 545.01
Set 10	1	102.01 / 210.01 / 314.01 // 412.07 / 903.01
Set 11	1	412.03
Set 12	1	554.01 / 580.01 / 901.01 / 934.01
Set 13	1	412.07 / 903.01
Set 14	1	412.04 / 721.01 / 723.01
Set 15	1	412.05 / 721.02 / 723.02
Set 16	1	412.06 / 412.06

external drawing number:

CAD drawing	Copyright reserved			
designed:	date: 28.11.17	name:	part name: SHM40-40L 1,5kW DIN-Flansch	
checked:				

**ASV Stübbe** Partner for Solutions  
ASV Stübbe GmbH & Co.KG  
Postfach 1765  
D-32591 Vlotho

ident no.: **180718** index: **-** format: **A2** sheet: **2**  
2 sheets

deduced from: filename: 180718\_SHM40-40L 1,5kW DIN-Flansch

This is a drawing derivation of a 3D model. Changes must be carried out in the 3D model.