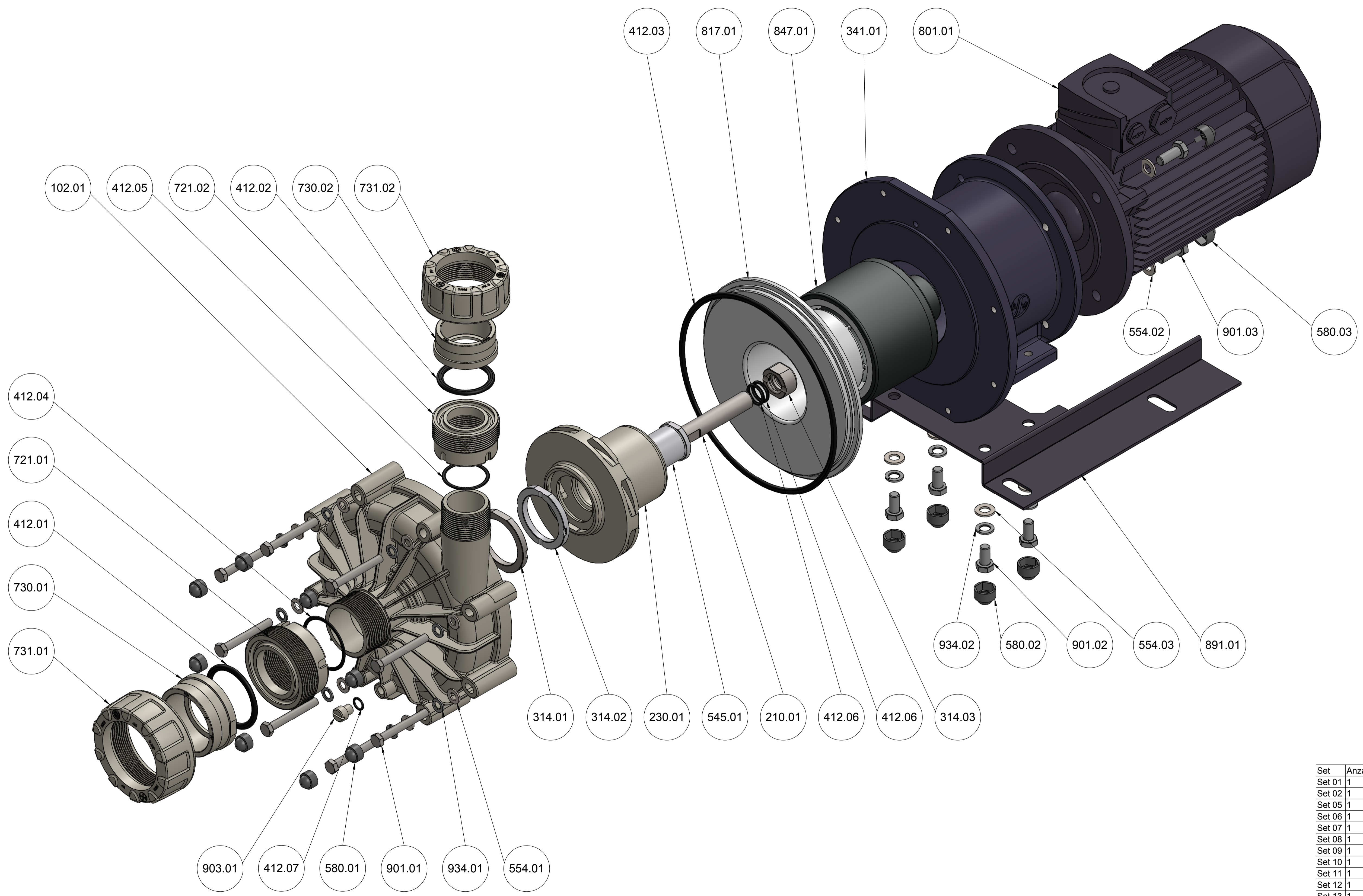


external drawing number:			
CAD drawing	Copyright reserved		
designed:	date: 01.12.17	name:	part name: SHM50-40S 1,5 / 2,2kW Verschraubung
checked:			
Stübbe Partner for Solutions		ASV Stübbe GmbH & Co.KG Postfach 1765 D-32591 Vlotho	ident no.: 180721 index: - format: A1 sheet: 1 of 2 sheets
This is a drawing derivation of a 3D model. Changes must be carried out in the 3D model.		deduced from: filename: 180721_SHM50-40S 1,5-2,2kW Verschraubung	



Set	Anzahl	Pos.
Set 01	1	801.01
Set 02	1	554.02 / 580.03 / 901.03
Set 05	1	341.01
Set 06	1	891.01
Set 07	1	554.03 / 580.02 / 901.02 / 934.02
Set 08	1	847.01
Set 09	1	314.03 / 412.06 / 817.01
Set 10	1	230.01 / 314.02 / 545.01
Set 11	1	102.01 / 210.01 / 314.01 // 412.07 / 903.01
Set 12	1	412.03
Set 13	1	554.01 / 580.01 / 901.01 / 934.01
Set 14	1	412.07 / 903.01
Set 15	1	412.01 / 412.04 / 721.01 / 730.01 / 731.01
Set 16	1	412.02 / 412.05 / 721.02 / 730.02 / 731.02

external drawing number:

CAD drawing	Copyright reserved	date:	part name:
designed: 01.12.17	checked:	180721	SHM50-40S 1,5 / 2,2kW Verschraubung

ASV Stübbe GmbH & Co.KG
 Postfach 1765
 D-32291 Vlotho
 Partner for Solutions

ident no.: **180721** index: **-** format: **A1** sheet: **2**
 deduced from: filename: 180721_SHM50-40S 1,5-2,2kW Verschraubung

Respect protective note according to DIN ISO 15016

This is a drawing derivation of a 3D model. Changes must be carried out in the 3D model.