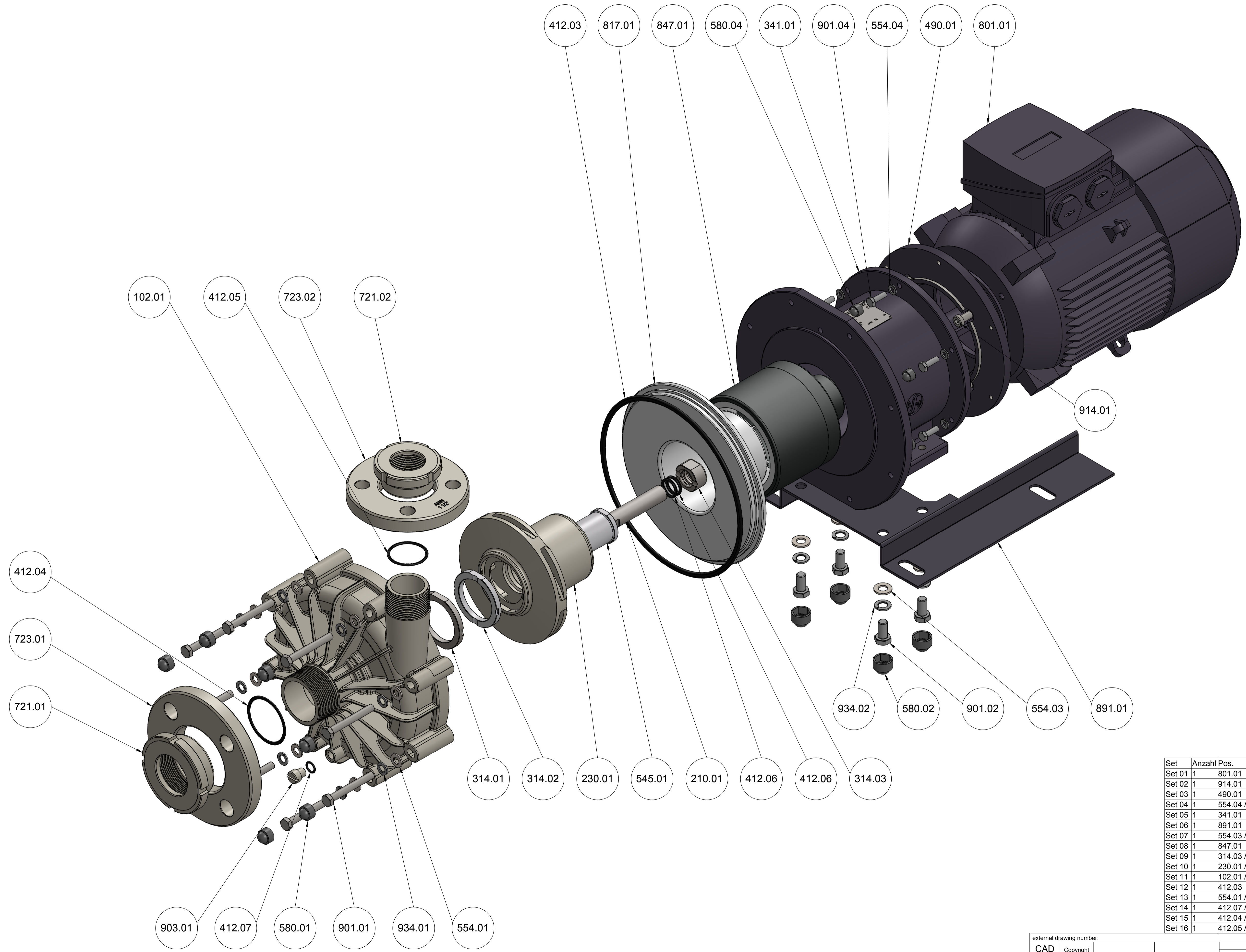


external drawing number:			
CAD drawing	Copyright reserved	part name:	
designed:	date:	SHM50-40L 3 / 4kW ANSI-Flansch	
checked:		ident. no.:	180732
		index:	-
		format:	A1
		sheet:	1
		deduced from:	2 sheets

This is a drawing derivation of a 3D model. Changes must be carried out in the 3D model.



ASV Stübbe GmbH & Co.KG
Postfach 1765
D-32291 Vlotho
filename: 180732_SHM50-40L 3-4kW ANSI-Flansch



Set	Anzahl	Pos.
Set 01	1	801.01
Set 02	1	914.01
Set 03	1	490.01
Set 04	1	554.04 / 580.04 / 901.04
Set 05	1	341.01
Set 06	1	891.01
Set 07	1	554.03 / 580.02 / 901.02 / 934.02
Set 08	1	847.01
Set 09	1	314.03 / 412.06 / 817.01
Set 10	1	230.01 / 314.02 / 545.01
Set 11	1	102.01 / 210.01 / 314.01 // 412.07 / 903.01
Set 12	1	412.03
Set 13	1	554.01 / 580.01 / 901.01 / 934.01
Set 14	1	412.07 / 903.01
Set 15	1	412.04 / 721.01 / 723.01
Set 16	1	412.05 / 721.02 / 723.02

external drawing number:

CAD drawing	Copyright reserved	date:	part name:
designed: 21.12.17	checked:	date:	SHM50-40L 3 / 4kW ANSI-Flansch
Stübbe ASV Stübbe GmbH & Co. KG Postfach 1765 D-32291 Vlotho		ident no.:	index: format: sheet:
deduced from:		180732	- A1 2
filename: 180732_SHM50-40L 3-4kW ANSI-Flansch		2 sheets	

This is a drawing derivation of a 3D model. Changes must be carried out in the 3D model.